



**SAKHI  
ENGINEERS PVT. LTD.**



**PETROLEUM  
& GAS**



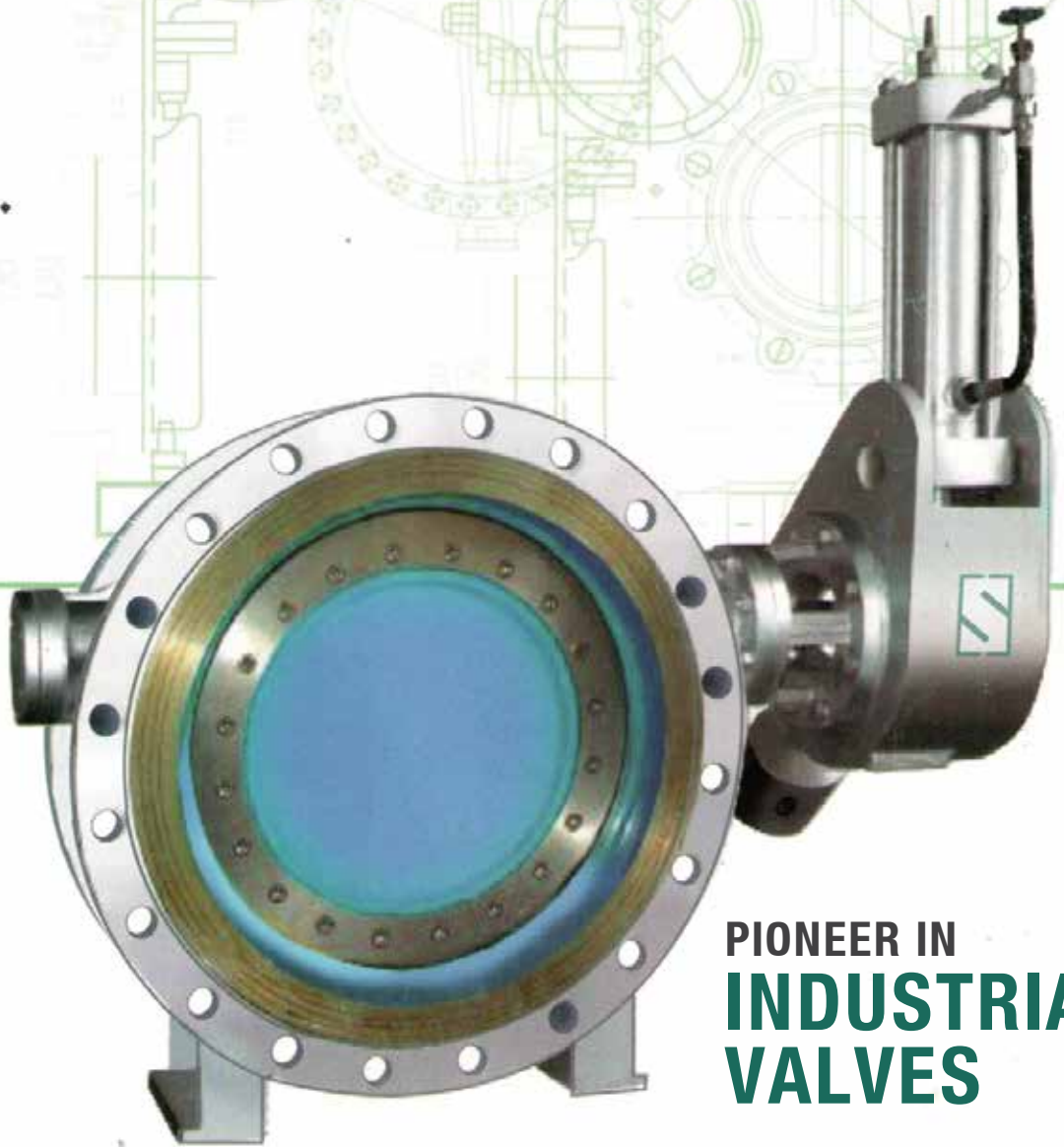
**CHEMICAL  
INDUSTRY**



**PAPER  
INDUSTRY**



**POWER  
ENERGIES**



**PIONEER IN  
INDUSTRIAL  
VALVES**

**M/s Sakhi Engineers Pvt.Ltd.**



22, Swastik Chamber, Ground floor,  
Sion Trombay Road, Chembur, Mumbai – 400 071

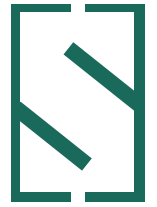


**MOBILE : +91 88980 05022 / +91 88980 05024**



**EMAIL : sakhivalveindia@gmail.com / sakhiengineers22@gmail.com**  
**WEBSITE : www.sakhiengineers.in**

# TRIPLE ECCENTRIC HIGH PERFORMANCE BUTTERFLY VALVE SERIES



LTD373H  
Lug Type High Performance  
Butterfly Valves



D373H  
Wafer Type High  
Performance Butterfly Valves



D363H  
Butt-Welding Triple Eccentric  
Metal Sealing Butterfly Valves



D663H  
Metal Sealing Pneumatic  
Butterfly Valves

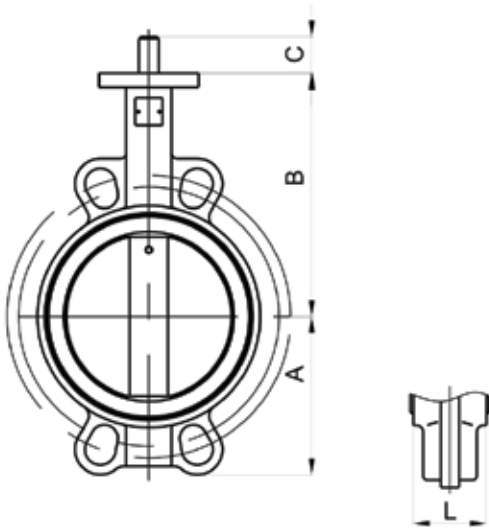


# WAFER BUTTERFLY VALVES



CLASS 125 / CLASS 250  
PN16 / PN25 / PN 10

Fig. 2302



**Valve Standard :** Design & Mfg. STD.: API 609 / BS 5155  
Face to Face STD.: API 609 Category A  
Wafer Type End: Suitable for Mounting  
Between Flange of ASME B16.5, 150#  
Testing STD.: API 598 / BS 6755 Part 1

### Pressure Temperature Ratings

|                     |   |
|---------------------|---|
| Working Pressure    | 16bar/25bar   |
| Testing Pressure    | Shell:24bar/37.5bar<br>Seal: 17.6bar/27.5bar        |
| Working Temperature | -20°C to 110°C EPDM Seat<br>-10°C to 80° C NBR Seat |
| Suitable Media      | Water, Oil & Gas                                    |

### Material Specification

| Part      | Material                    | ASTM              |
|-----------|-----------------------------|-------------------|
| Body      | Cast Iron                   | A126 Class B      |
|           | Ductile Iron                | A536 Gr. 65-45-12 |
| Disc      | Ductile Iron                | A536 Gr. 65-45-12 |
|           | Bronze                      | B148 C95400       |
|           | Stainless Steel             | A351 CF-8         |
|           | Stainless Steel             | A351 CF-8M        |
| Shaft     | Stainless Steel             | A276 S 410 00     |
|           | Stainless Steel             | A276 S 431 00     |
| Seat Ring | EPDM / NBR / Viton / PTFE09 |                   |
| O-Ring    | EPDM / NBR                  |                   |
| Bushing   | PTFE                        |                   |
|           | Bronze                      | B62 C83600        |

### NOTE :

ONLY DN50-DN300 DOUBLE SHAFT DESIGNED VALVES ARE WRAS APPROVED

### DIMENSIONS

| DN | mm   | 40    | 50  | 65    | 80  | 100 | 125 | 150 | 200 | 250 | 300 | 350 | 400 |
|----|------|-------|-----|-------|-----|-----|-----|-----|-----|-----|-----|-----|-----|
|    | inch | 1-1/2 | 2   | 2-1/2 | 3   | 4   | 5   | 6   | 8   | 10  | 12  | 14  |     |
| A  |      | 68    | 80  | 89    | 95  | 114 | 127 | 139 | 175 | 203 | 242 | 267 | 316 |
| B  |      | 110   | 161 | 175   | 181 | 200 | 213 | 226 | 260 | 292 | 337 | 368 | 400 |
| C  |      | 24    | 30  | 30    | 30  | 30  | 30  | 30  | 34  | 34  | 34  | 40  | 52  |
| L  |      | 33    | 43  | 46    | 46  | 52  | 56  | 56  | 60  | 68  | 78  | 78  | 102 |

| DN | mm   | 450 | 500 | 550 | 600 |
|----|------|-----|-----|-----|-----|
|    | inch | 18  | 20  | 22  | 24  |
| A  |      | 334 | 370 | 433 | 468 |
| B  |      | 422 | 480 | 533 | 562 |
| C  |      | 52  | 64  | 70  | 70  |
| L  |      | 114 | 127 | 154 | 165 |

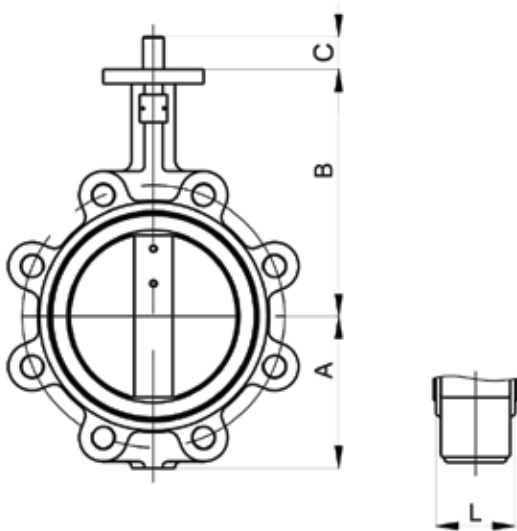


# LUG BUTTERFLY VALVES



CLASS 125 / CLASS 250  
PN16 / PN25 / PN - 10

Fig. 2502



Valve Standard : Design & Mfg. STD.: API 609 / BS 5155  
Face to Face STD.: API 609 Category A  
Wafer Lug Type End: Suitable for Mounting  
Between Flange of ASME B16.5, 150#  
Testing STD.: API 598 / BS 6755 Part 1

### Pressure Temperature Ratings

|                     |   |
|---------------------|---|
| Working Pressure    | 16bar/25bar   |
| Testing Pressure    | Shell:24bar/37.5bar<br>Seal: 17.6bar/27.5bar        |
| Working Temperature | -20°C to 110°C EPDM Seat<br>-10°C to 80° C NBR Seat |
| Suitable Media      | Water, Oil & Gas                                    |

### Material Specification

| Part      | Material                  | ASTM              |
|-----------|---------------------------|-------------------|
| Body      | Cast Iron                 | A126 Class B      |
|           | Ductile Iron              | A536 Gr. 65-45-12 |
| Disc      | Ductile Iron              | A536 Gr. 65-45-12 |
|           | Bronze                    | B148 C95400       |
|           | Stainless Steel           | A351 CF-8         |
|           | Stainless Steel           | A351 CF-8M        |
| Shaft     | Stainless Steel           | A276 S 410 00     |
|           | Stainless Steel           | A276 S 431 00     |
| Seat Ring | EPDM / NBR / Viton / PTFE |                   |
| O-Ring    | EPDM / NBR                |                   |
| Bushing   | PTFE                      |                   |
|           | Bronze                    | B62 C83600        |

### NOTE :

ONLY DN50-DN300 DOUBLE SHAFT DESIGNED VALVES ARE WRAS APPROVED

### DIMENSIONS

| DN | mm   | 40    | 50  | 65    | 80  | 100 | 125 | 150 | 200 | 250 | 300 |
|----|------|-------|-----|-------|-----|-----|-----|-----|-----|-----|-----|
|    | inch | 1-1/2 | 2   | 2-1/2 | 3   | 4   | 5   | 6   | 8   | 10  | 12  |
| A  |      | 68    | 80  | 89    | 95  | 114 | 127 | 139 | 175 | 203 | 242 |
| B  |      | 110   | 161 | 175   | 181 | 200 | 213 | 226 | 260 | 292 | 337 |
| C  |      | 24    | 30  | 30    | 30  | 30  | 30  | 30  | 34  | 34  | 34  |
| L  |      | 33    | 43  | 46    | 46  | 52  | 56  | 56  | 60  | 68  | 78  |

| DN | mm   | 350 | 400 | 450 | 500 | 550 | 600 |
|----|------|-----|-----|-----|-----|-----|-----|
|    | inch | 14  | 16  | 18  | 20  | 22  | 24  |
| A  |      | 267 | 316 | 334 | 370 | 433 | 468 |
| B  |      | 368 | 400 | 422 | 480 | 533 | 562 |
| C  |      | 40  | 52  | 52  | 64  | 70  | 70  |
| L  |      | 78  | 102 | 114 | 127 | 154 | 154 |



# AWWA C504 DOUBLE FLANGED BUTTERFLY VALVES



CLASS 150

Fig. 2102



### Valve Standard :

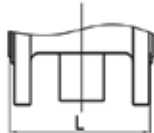
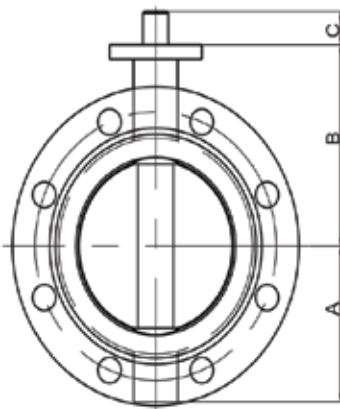
Design & Mfg. STD.: API 609 / BS 5155  
 Face to Face STD.: API 609 Category B Short Pattern  
 Flanged End: ASME B16.5, 150#  
 Testing STD.: API 598 / BS 6755 Part 1

### Pressure Temperature Ratings

|                     |  |
|---------------------|--|
| Working Pressure    | 150psi   |
| Testing Pressure    | Shell:300psi<br>Seal: 165psi                       |
| Working Temperature | -4°F to 230°F EPDM Seat<br>-14°F to 176°F NBR Seat |
| Suitable Media      | Water, Oil & Gas                                   |

### Material Specification

| Part      | Material                  | ASTM              |
|-----------|---------------------------|-------------------|
| Body      | Ductile Iron              | A536 Gr. 65-45-12 |
| Disc      | Ductile Iron              | A536 Gr. 65-45-12 |
|           | Bronze                    | B148 C95400       |
|           | Stainless Steel           | A351 CF-8         |
|           | Stainless Steel           | A351 CF-8M        |
| Shaft     | Stainless Steel           | A276 S 410 00     |
|           | Stainless Steel           | A276 S 431 00     |
| Seat Ring | EPDM / NBR / Viton / PTFE |                   |
| O-Ring    | EPDM / NBR                |                   |
| Bushing   | Bronze                    | B62 C83600        |



### DIMENSIONS

| DN | mm   | 80  | 100 | 150 | 200 | 250 | 300 | 350 | 400 | 450 |
|----|------|-----|-----|-----|-----|-----|-----|-----|-----|-----|
|    | inch | 3   | 4   | 6   | 8   | 10  | 12  | 14  | 16  | 18  |
| A  |      | 102 | 112 | 147 | 175 | 208 | 227 | 275 | 308 | 373 |
| B  |      | 155 | 160 | 210 | 250 | 285 | 310 | 340 | 376 | 390 |
| L  |      | 114 | 127 | 140 | 152 | 165 | 178 | 190 | 216 | 222 |

| DN | mm   | 500 | 600 |
|----|------|-----|-----|
|    | inch | 20  | 24  |
| A  |      | 408 | 464 |
| B  |      | 425 | 500 |
| L  |      | 229 | 267 |

